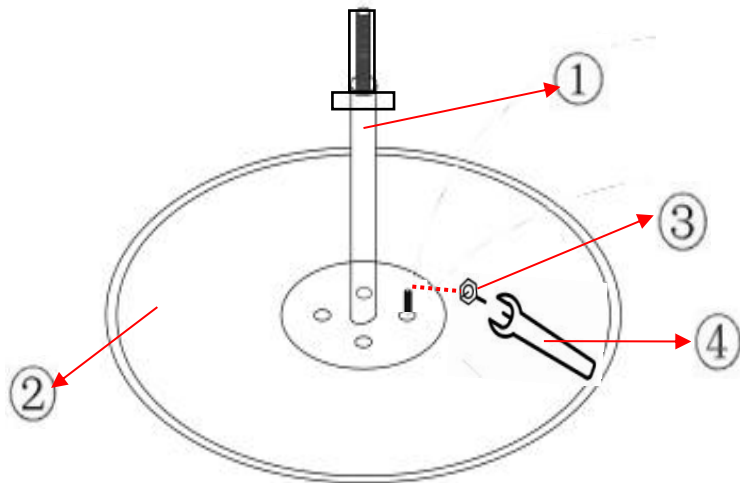


SURI SIDE TABLE ASSEMBLY INSTRUCTIONS

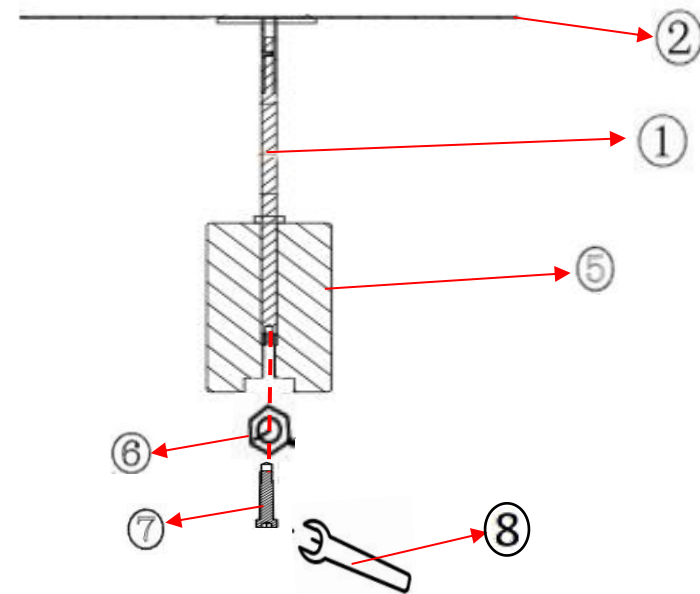
Caution: No power tools - use hand tools only. Do not overtighten screws

Step 1



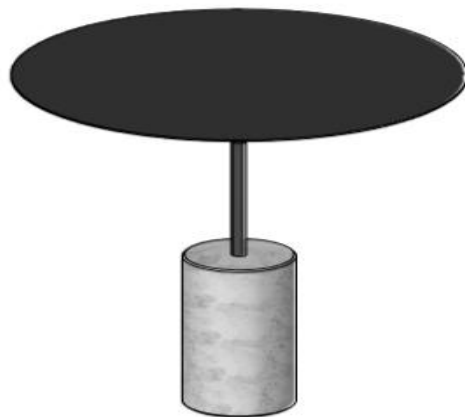
To avoid scratching the tabletop, do not put directly on floor while upside down - put down a soft towel or blanket

Step 2



Step 3

Finished



Make sure all screws are screwed in & secure before standing table upright

PARTS INCLUDED

| No. | Description of parts | Qty/pcs |
|-----|----------------------|---------|
| 1 | Post rack | 1 |
| 2 | Coffee table top | 1 |
| 3 | T-nut of screw | 4 |
| 4 | Wrench-1 | 1 |
| 5 | Marble base | 1 |
| 6 | Washer | 1 |
| 7 | Screw with M8 size | 1 |
| 8 | Wrench-2 | 1 |