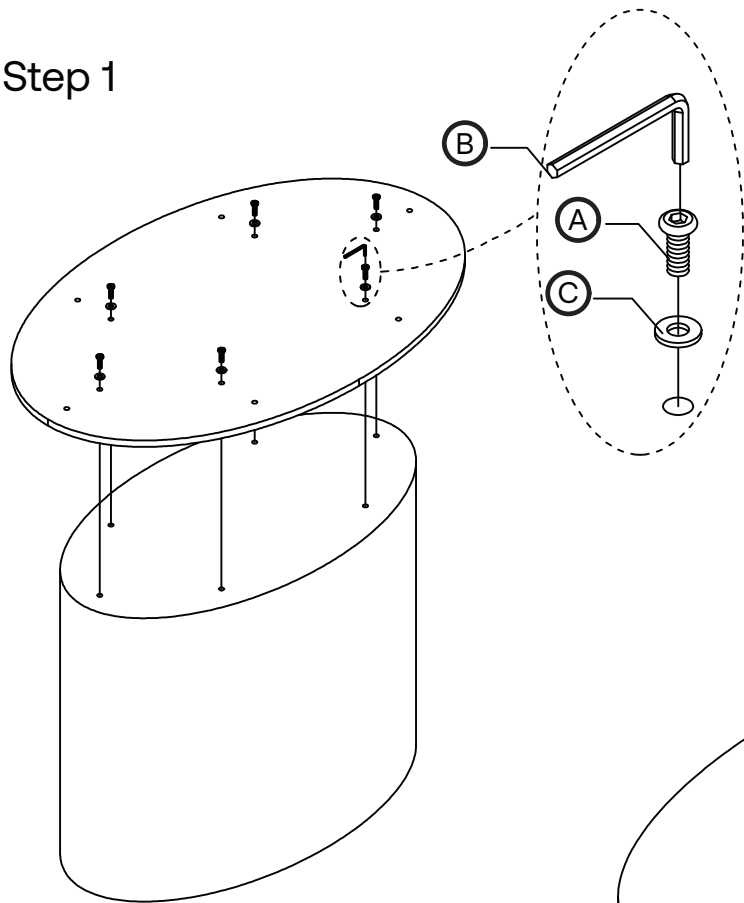


HORGANS

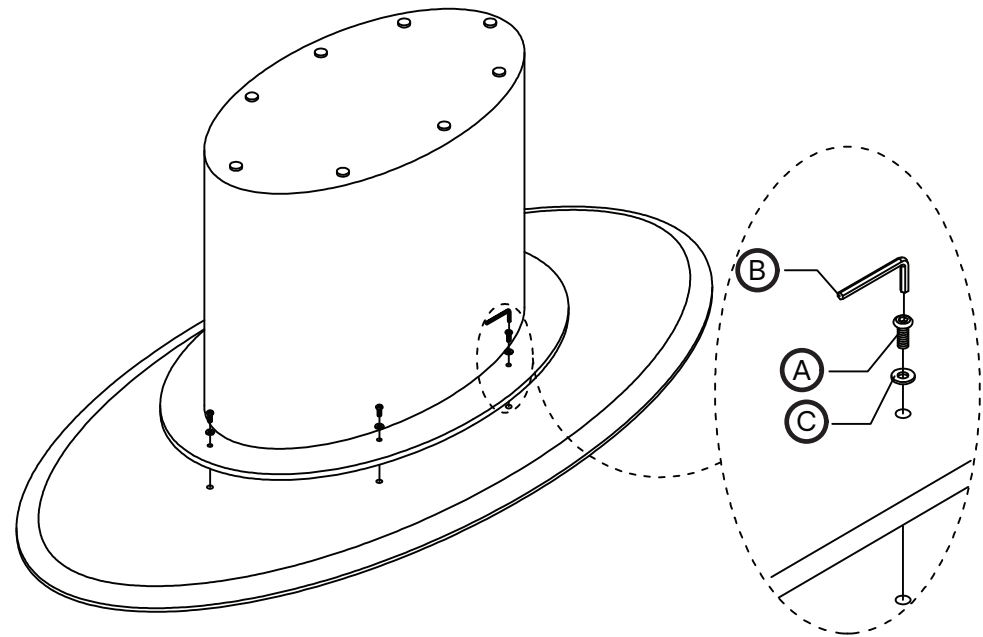
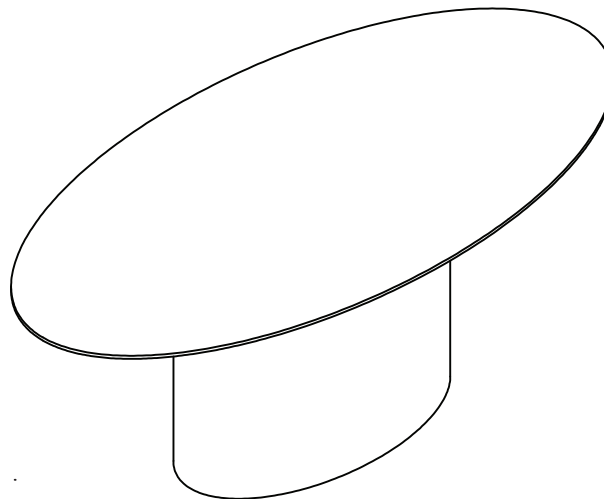
Step 2




Assembly Instructions

Step 1



Step 3



ID	Description	QTY
A	 M8x30	12
B	 5mm	2
C	 Ø 17x Ø 8x2	12