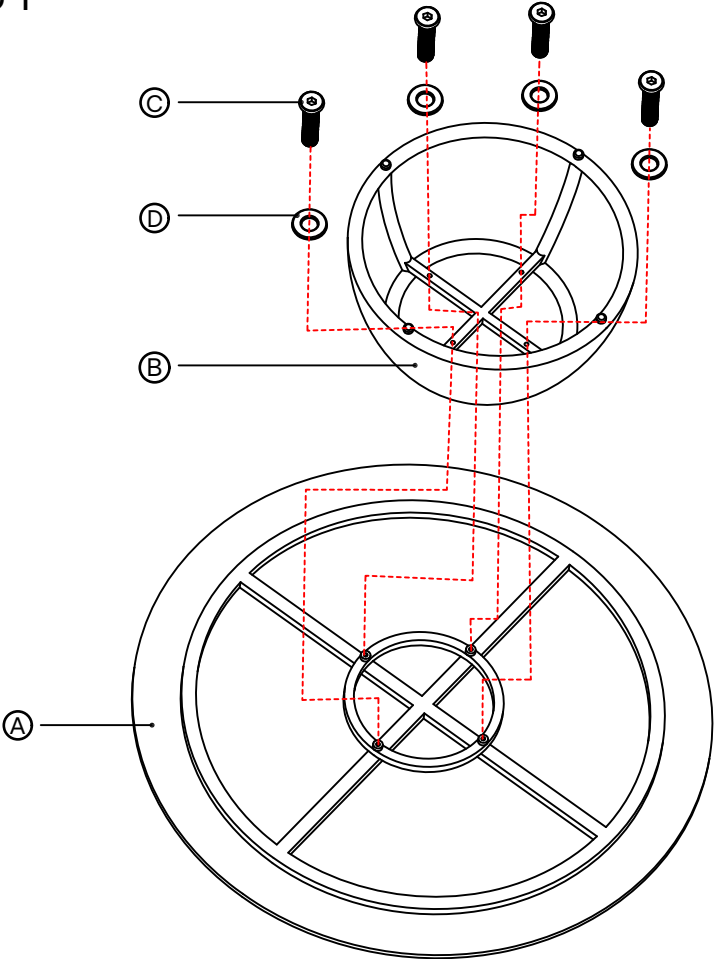


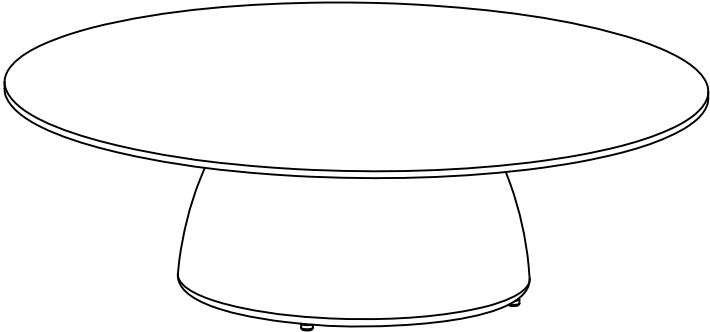
# HORGANS

## Assembly Instructions






### Step 1



### Step 2



 **TIGHTEN BY  
HAND ONLY**  
**DO NOT USE  
POWER TOOLS**

ID	Description	QTY
A	 TOP	1
B	 BASE	1
C		4
D		4
E		1