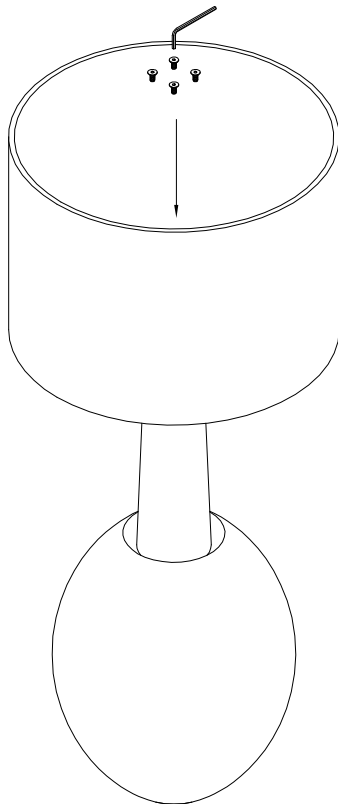


HORGANS

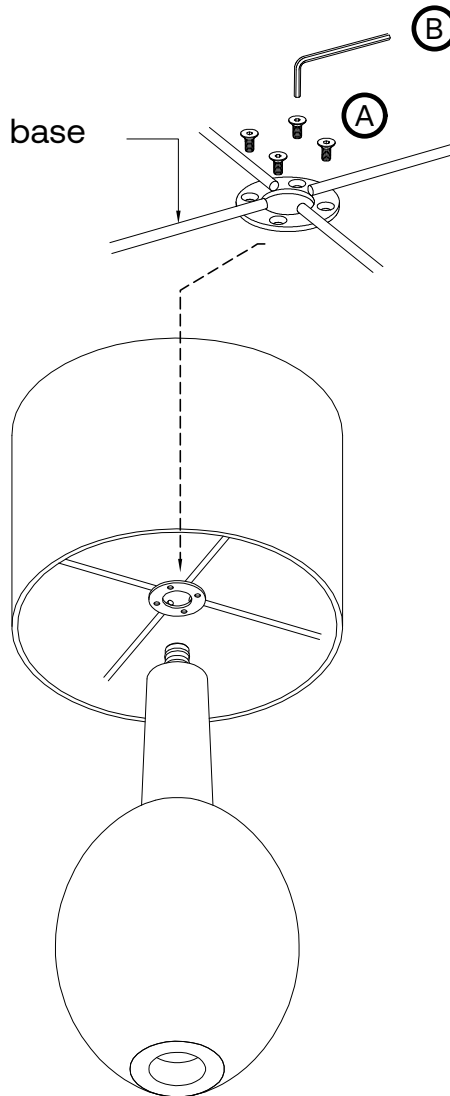
Assembly Instructions

Step 1



Step 2

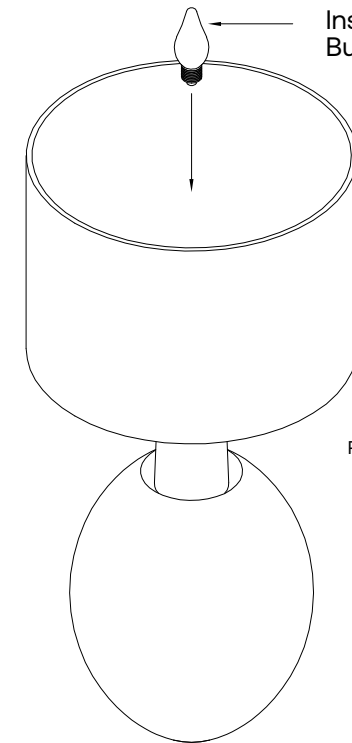
Attach shade to base



Step 3



**TIGHTEN BY
HAND ONLY**
**DO NOT USE
POWER TOOLS**



Please note : If using LED globe it
must be 'Dimmable LED'
otherwise flickering may occur.