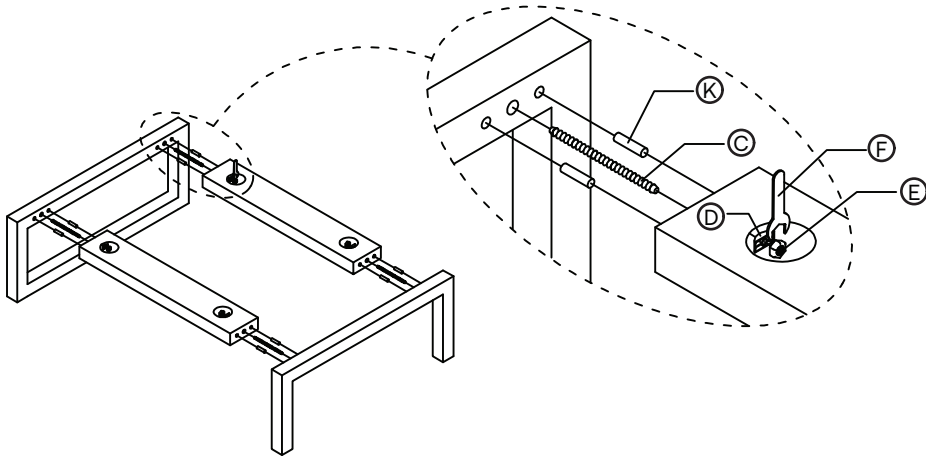


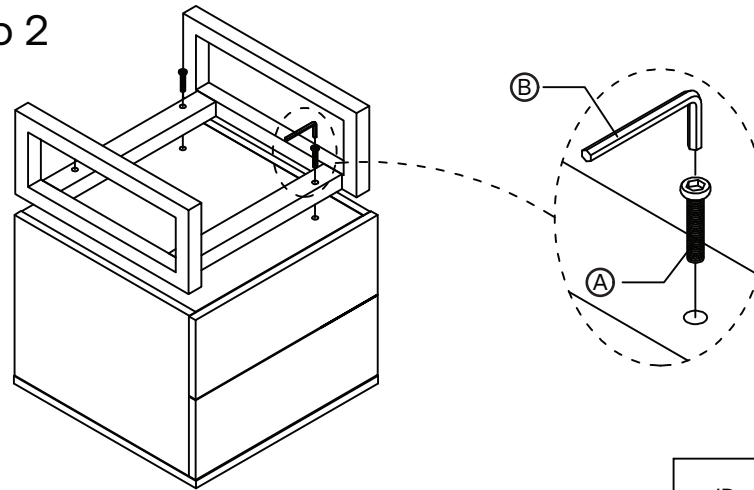
HORGANS

Assembly Instructions

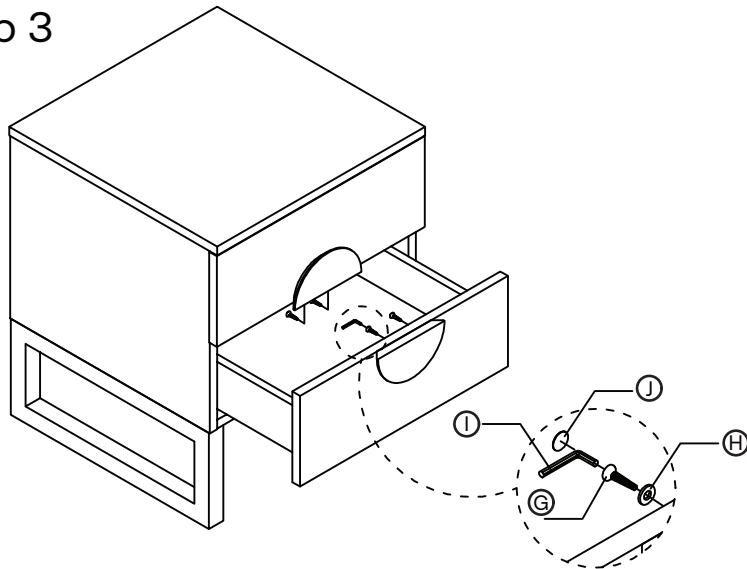
Step 1



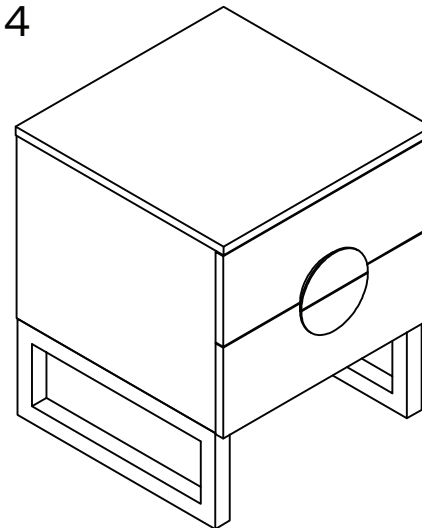
Step 2











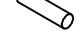


Step 3



Step 4



ID	Description	QTY
A	 M8x50	4
B	 6mm	1
C	 M8x95	4
D		4
E	 M8	4
F	 14mm	1
G	 M6x25	4
H	 Ø 13x Ø 6x1	4
I	 4mm	1
J	 Ø 21	4
K	 Ø 8 x 30	8