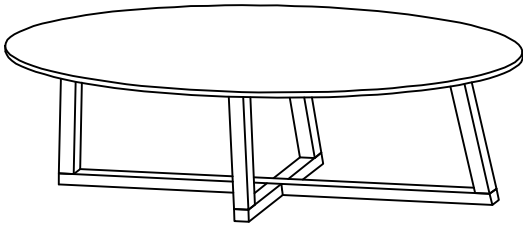


HORGANS

Assembly Instructions

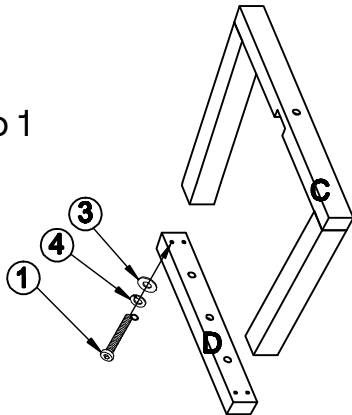
Caution: No Power Tools.
Use hand-tools to assemble Table.



Parts List

NO.	Name	Quantity	Unit
A	Table Top	1	PC
B	Table Leg	1	PC
C	Table Leg	1	PC
D	Beam	1	PC

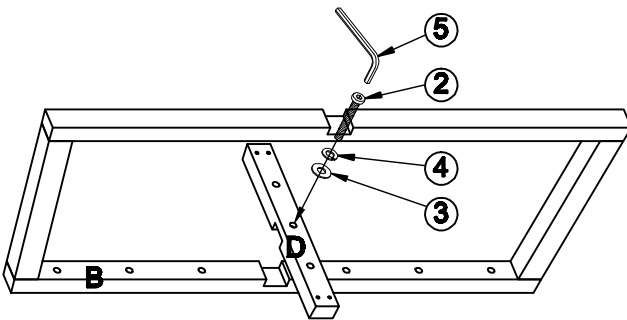
Step 1



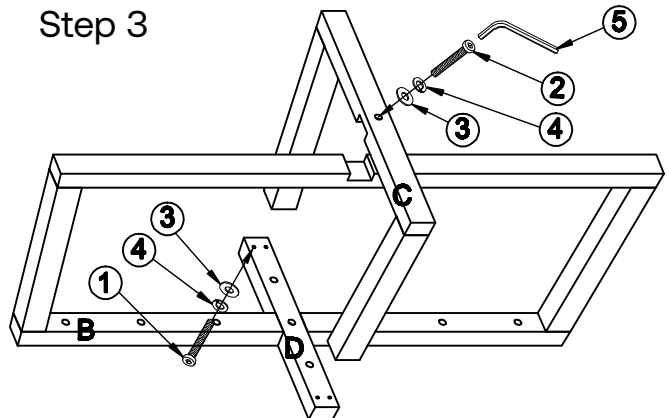
Hardware List

NO.	Name	Size (mm)	Quantity	Unit
①	Screw	M8*55	12	PCS
②	Screw	M8*40	2	PCS
③	Flat Washer	M8*20*2	14	PCS
④	Spring Washer	M8	14	PCS
⑤	Allen Key	5mmDia	1	PC

Step 2



Step 3



Step 4

