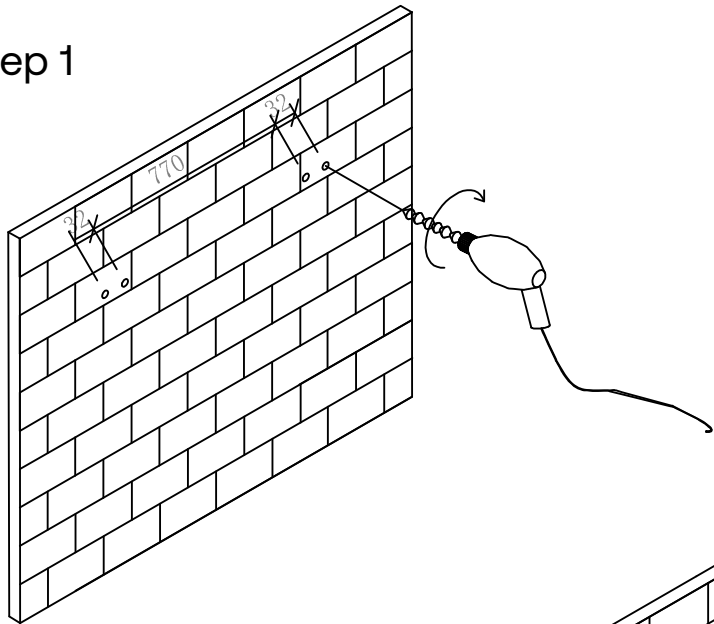


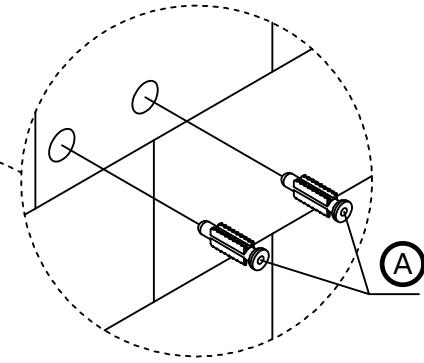
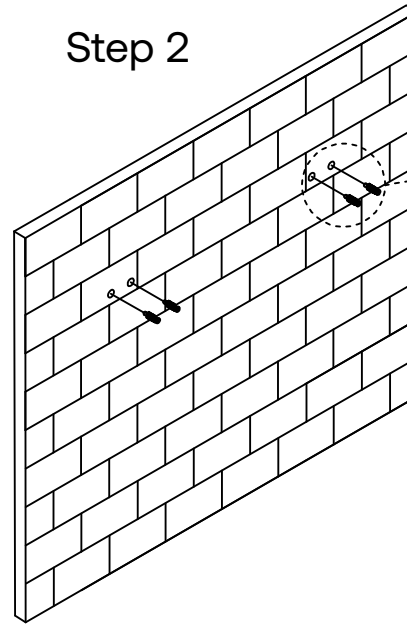
HORGANS

Assembly Instructions

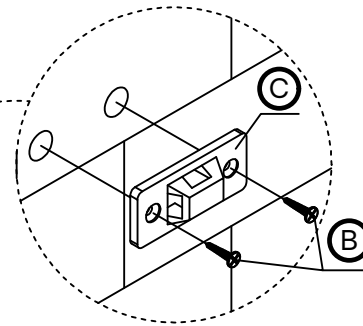
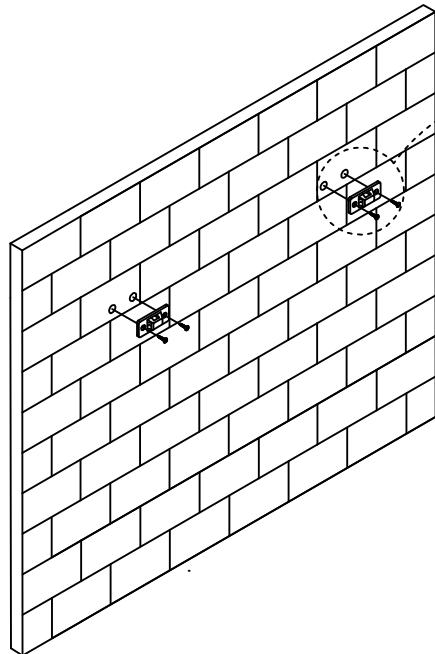
Step 1

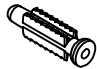




Step 2



Step 3

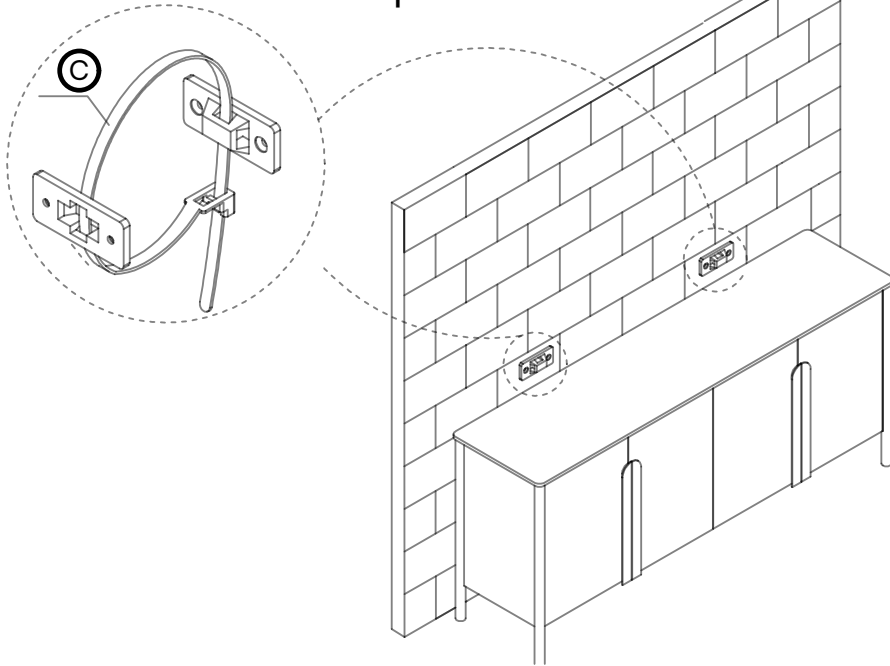


ID	Description	QTY
A		4
B	 3.5 x 30	4
C		2

HORGANS

Assembly Instructions

Step 4

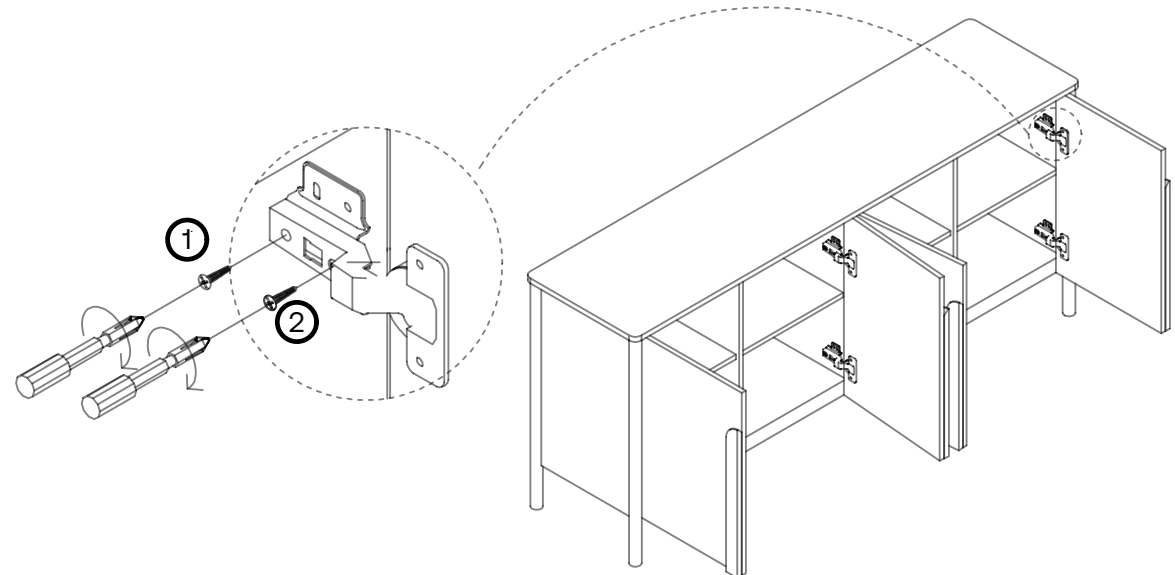


Screw 1: by twisting screw 1 to the left, the door panel will move to outside; by twisting screw 1 to the right, the door panel will move to inside.

Screw 2: twisting screw 2 to the left, the door panel will move to right. Twisting screw 2 to the right, the door panel will move to the left.

Step 5

If doors are misaligned / uneven, please follow these steps:



Anti-Tip Kit

It is recommended that the Anti-Tip Kit included with this product be installed for added safety and stability. It is essential to use wall anchors appropriate for your wall type (i.e.plaster, drywall, concrete etc), along with appropriate screws, for proper mounting. The screws included in this Anti-Tip Kit may not be suited for all wall types.

Mounting to wood studs is recommended.

Consult a qualified professional or your local hardware store for appropriate mounting hardware suited for your specific wall medium.