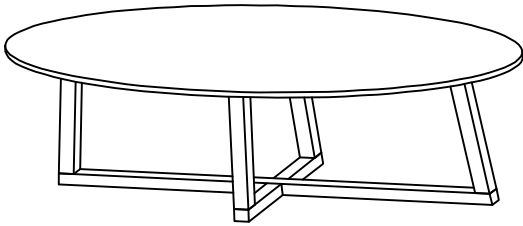


# HORGANS

## Assembly Instructions

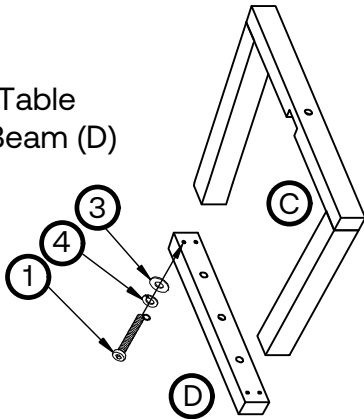
Caution: No Power Tools.  
Use hand-tools to assemble Table.



### Parts List

NO.	Name	Quantity	Unit
(A)	Table Top	1	PC
(B)	Table Leg	1	PC
(C)	Table Leg	1	PC
(D)	Beam	1	PC

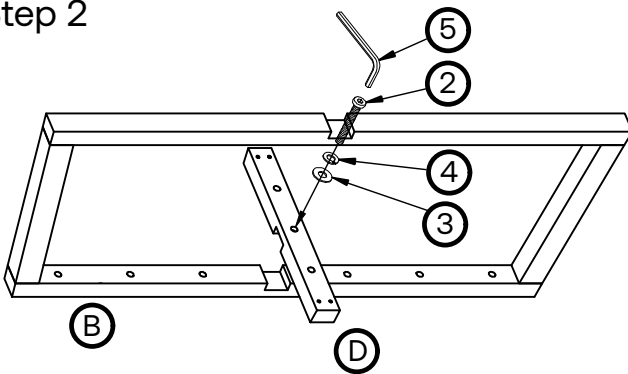
Step 1  
Unassemble Table  
Leg (C) and Beam (D)



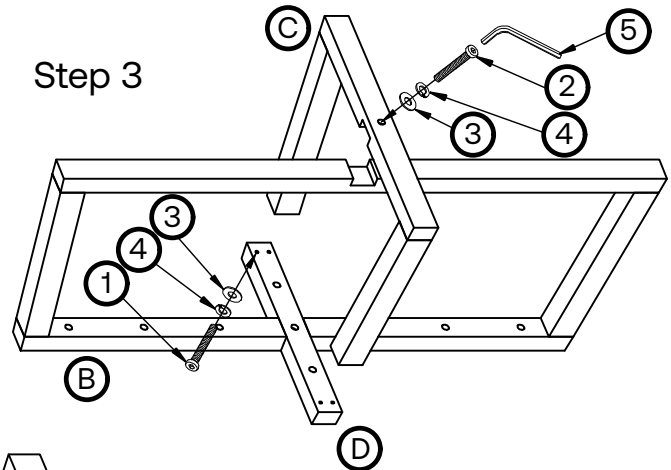
### Hardware List

NO.	Name	Size (mm)	Quantity	Unit
(1)	Screw	M8*55	12	PCS
(2)	Screw	M8*40	2	PCS
(3)	Flat Washer	M8*20*2	14	PCS
(4)	Spring Washer	M8	14	PCS
(5)	Allen Key	5mmDia	1	PC

Step 2



Step 3



Step 4

