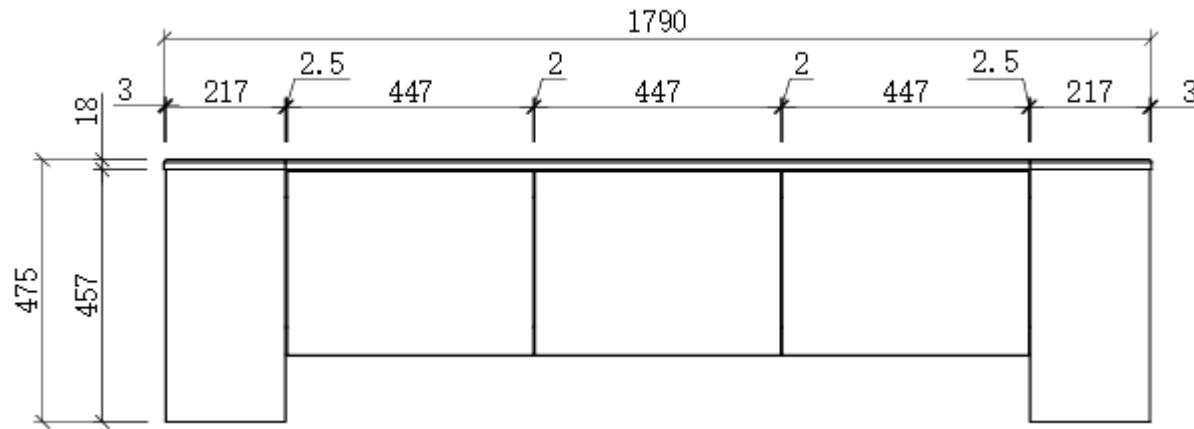
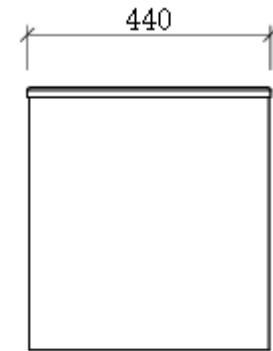


# Axel Entertainment Unit



Front  
(Length)



Side  
(Width Depth)

