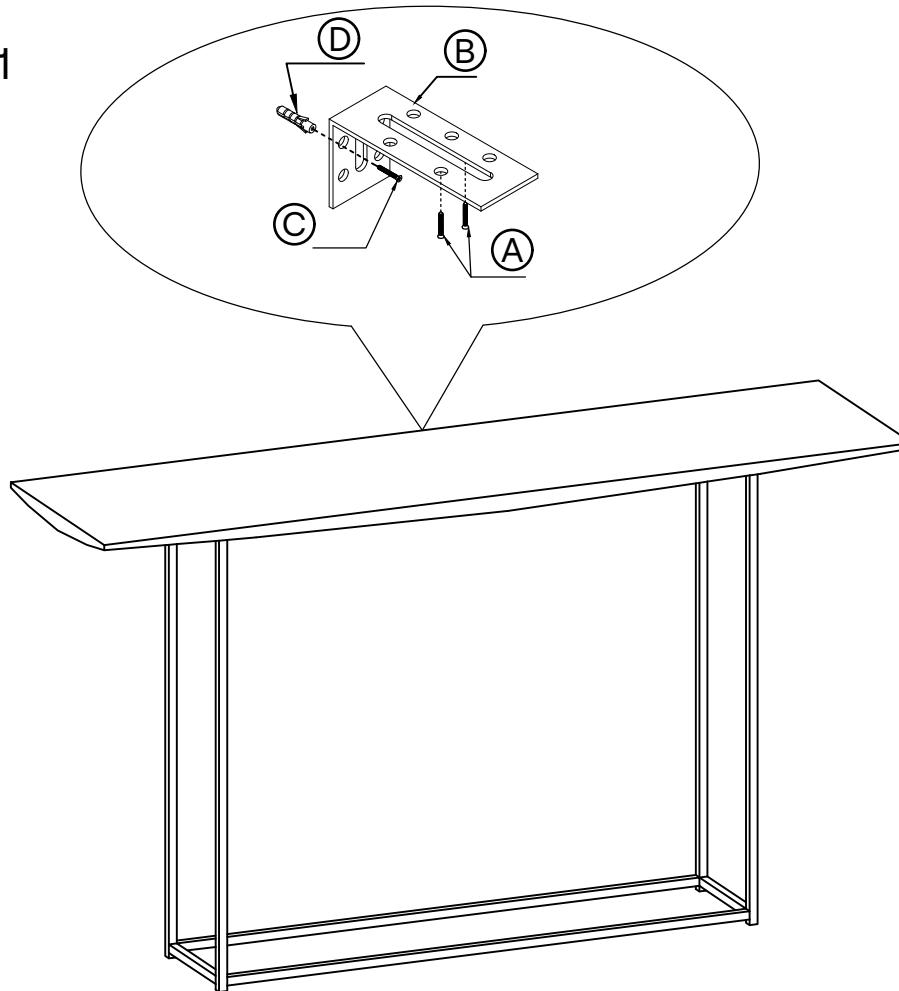


# HORGANS

## Assembly Instructions





Step 1



It is recommended that the Anti-Tip Bracket included with this product be installed for added safety and stability. It is essential to use wall anchors appropriate for your wall type (i.e.plaster, drywall, concrete etc), along with appropriate screws, for proper mounting. The screws included in this Anti-Tip Kit may not be suited for all wall types.

Consult a qualified professional or your local hardware store for appropriate mounting hardware suited for your specific wall medium.



ID	Description	QTY
A	 Screw	2
B	 Bracket	1
C	 Screw	1
D	 Plastic Expansion	1