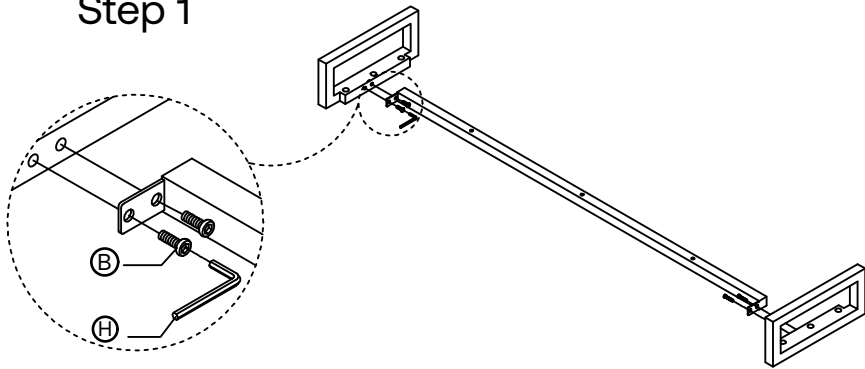


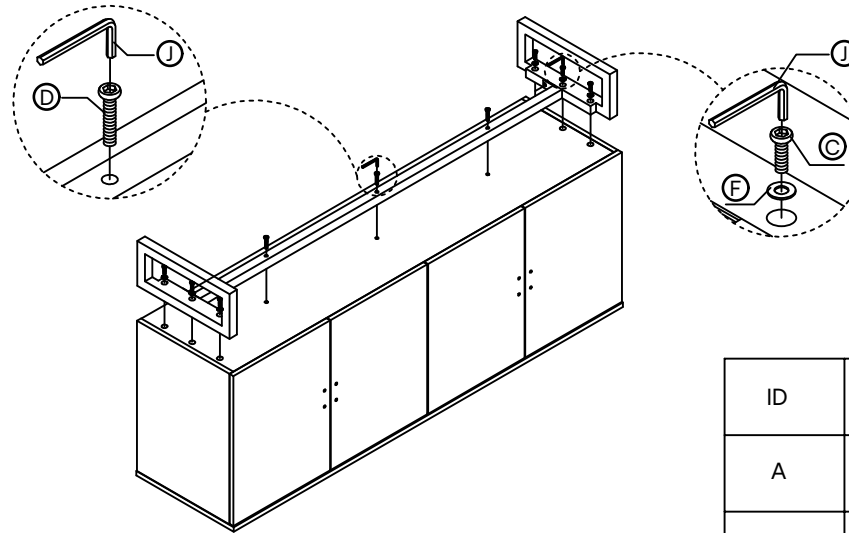
HORGANS

Assembly Instructions

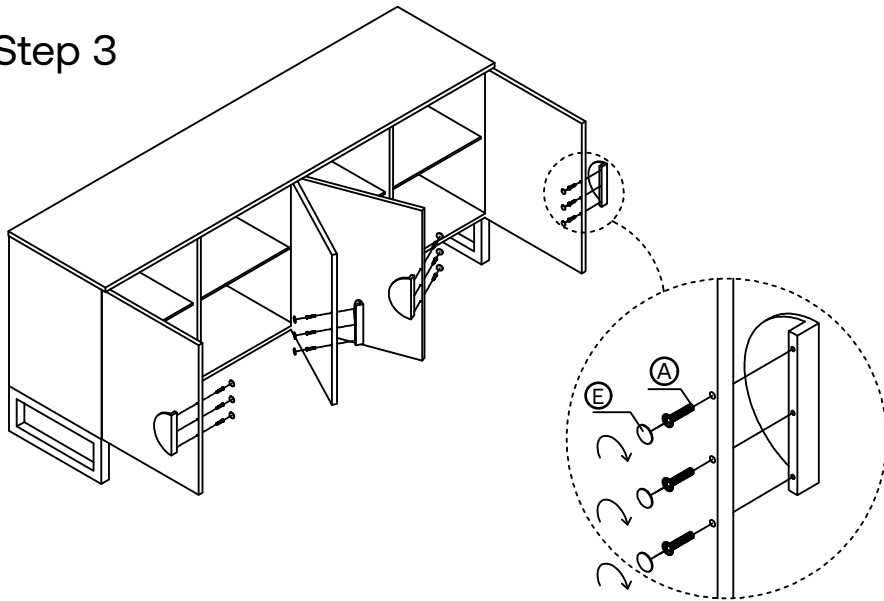
Step 1



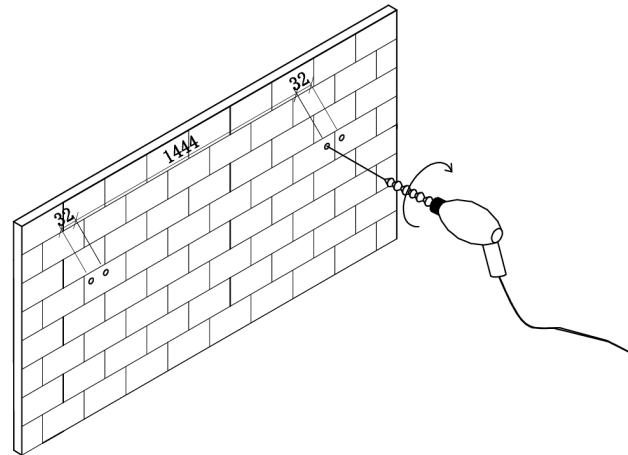
Step 2














Step 3



Step 4



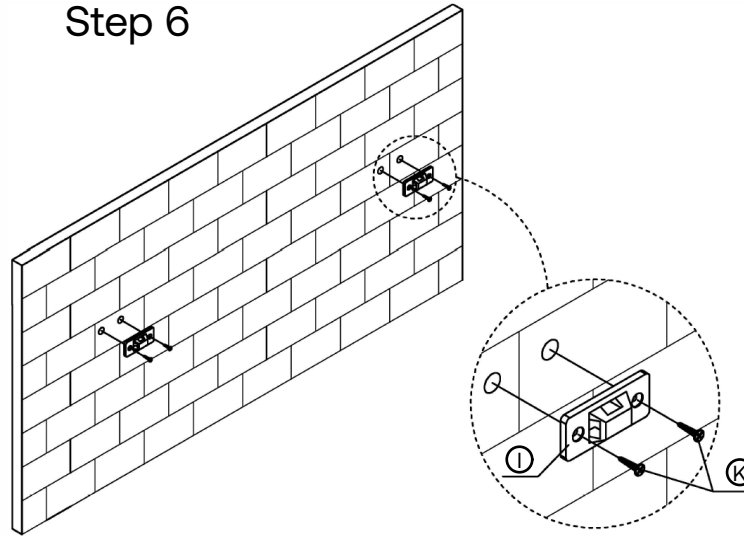
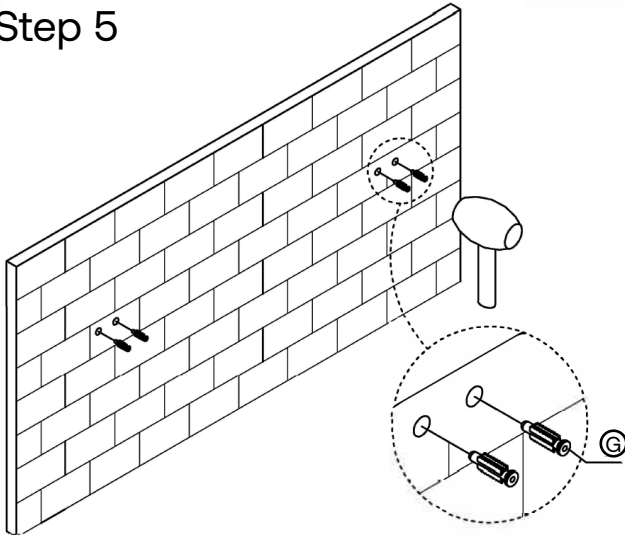
ID	Description	QTY
A	 M4 x 22	12
B	 M8 x 20	4
C	 M8 x 35	6
D	 M8 x 45	3
E	 Ø 13	12
F	 Ø 17 x Ø 8x2	6
G		4
H	 5mm	1
I		2
J	 6mm	1
K	 3.5 x 30	4

HORGANS

Step 6

Assembly Instructions

Step 5



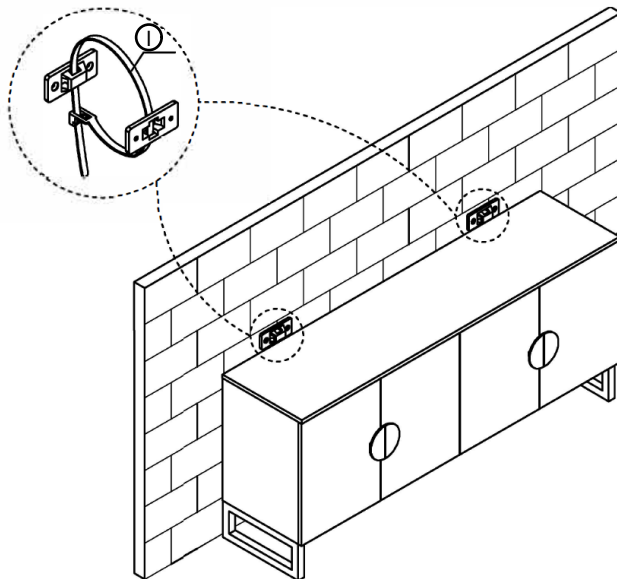
Anti-Tip Kit

It is recommended that the Anti-Tip Kit included with this product be installed for added safety and stability. It is essential to use wall anchors appropriate for your wall type (i.e. plaster, drywall, concrete etc), along with appropriate screws, for proper mounting. The screws included in this Anti-Tip Kit may not be suited for all wall types.

Mounting to wood studs is recommended.

Consult a qualified professional or your local hardware store for appropriate mounting hardware suited for your specific wall medium.

Step 7



Step 8

