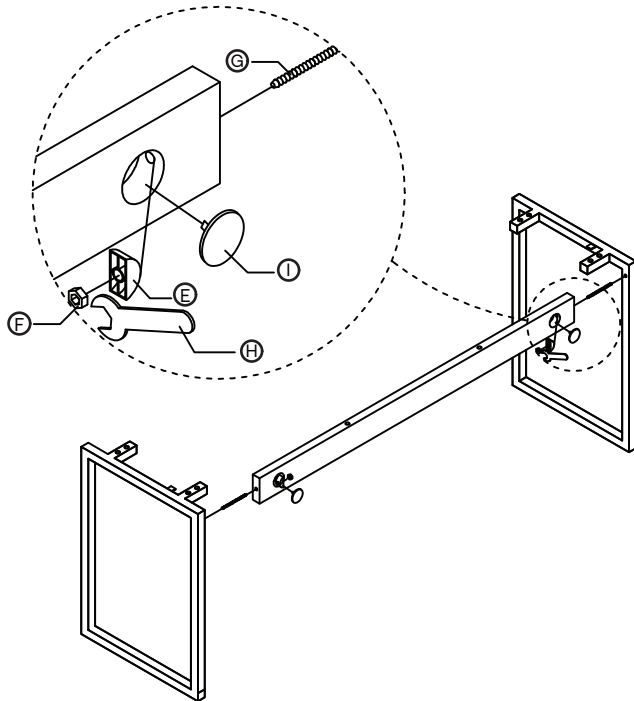


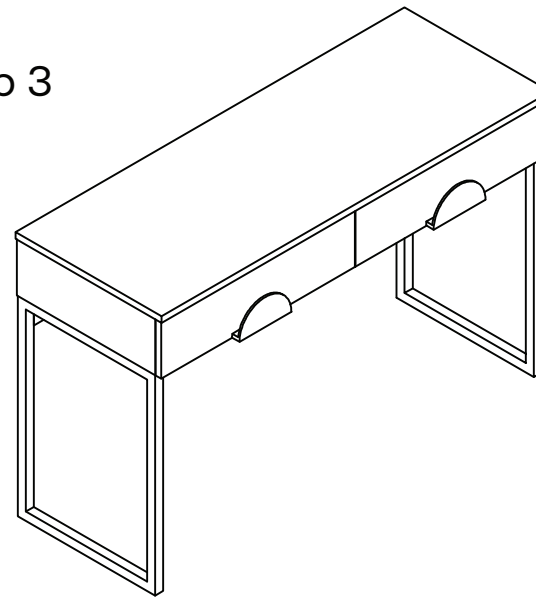
HORGANS

Assembly Instructions

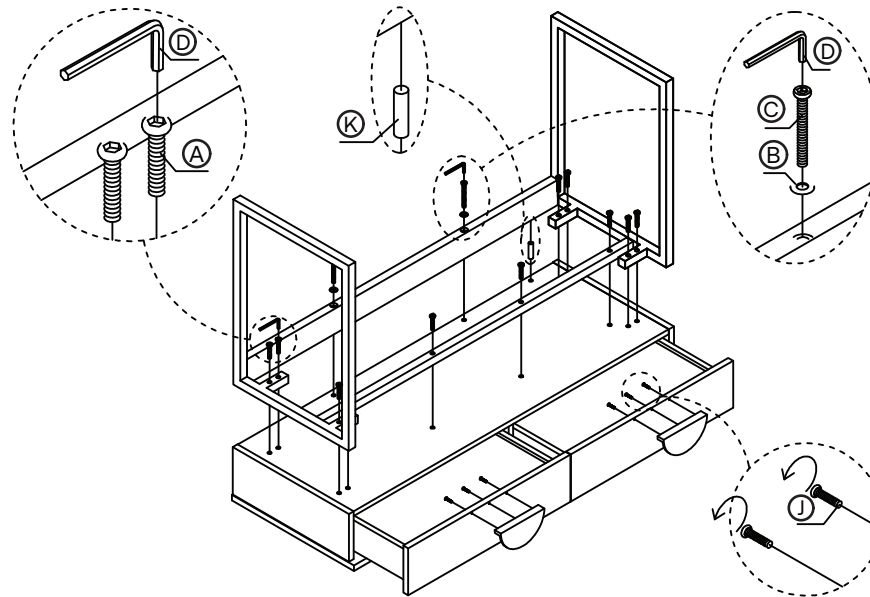
Step 1














Step 3



Step 2



ID	Description	QTY
A	 M8x40	12
B	 Ø 17x Ø 8x2	2
C	 M8x85	2
D	 6mm	1
E	 2	
F	 M8	2
G	 M8x95	2
H	 14mm	1
I	 Ø 38	2
J	 M4x25	6
K	 Ø 8x30	2