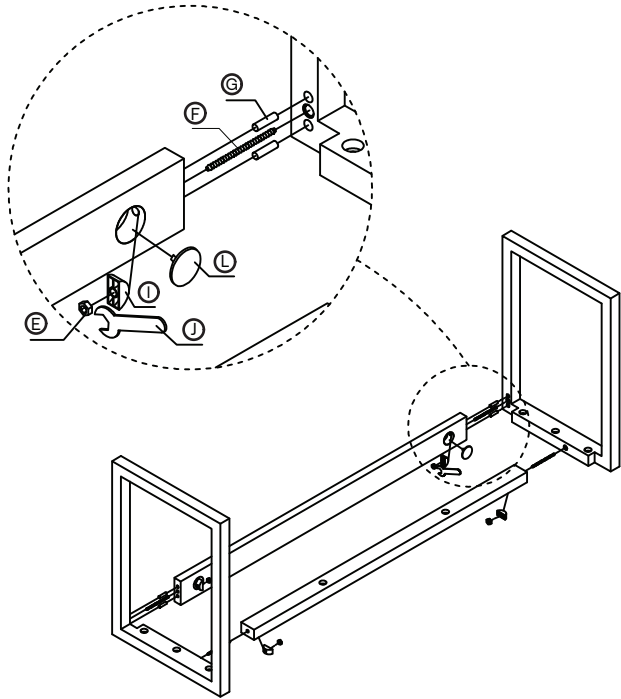


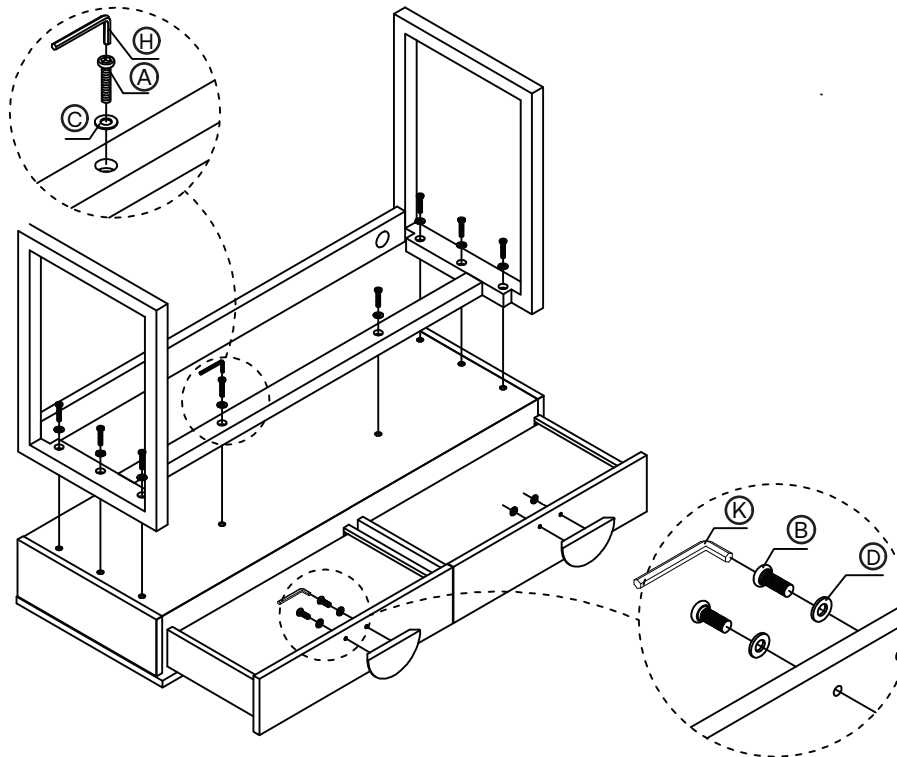
# HORGANS

## Assembly Instructions

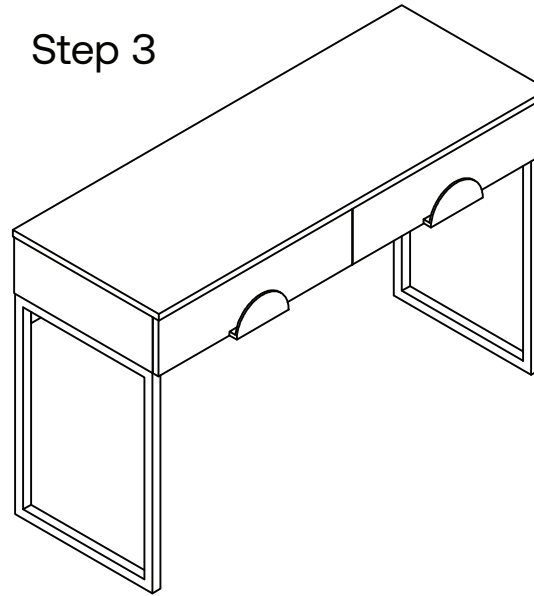
### Step 1



### Step 2



### Step 3



ID	Description	QTY
A	M8x40	8
B	M6x25	4
C	Ø 17 x Ø 8x2	8
D	Ø 13 x Ø 6x1	4
E	M8	4
F	M8x95	4
G	Ø 8x30	4
H	6mm	1
I		4
J	14mm	1
K	4mm	1
L	Ø 38	2