



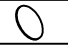








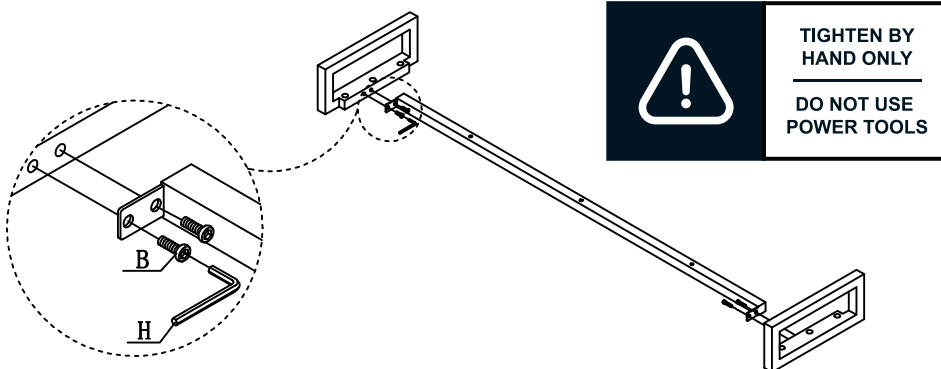
LUNA II SIDEBOARD A238 GOLD & A239 PEWTER

SETTING FITTINGS

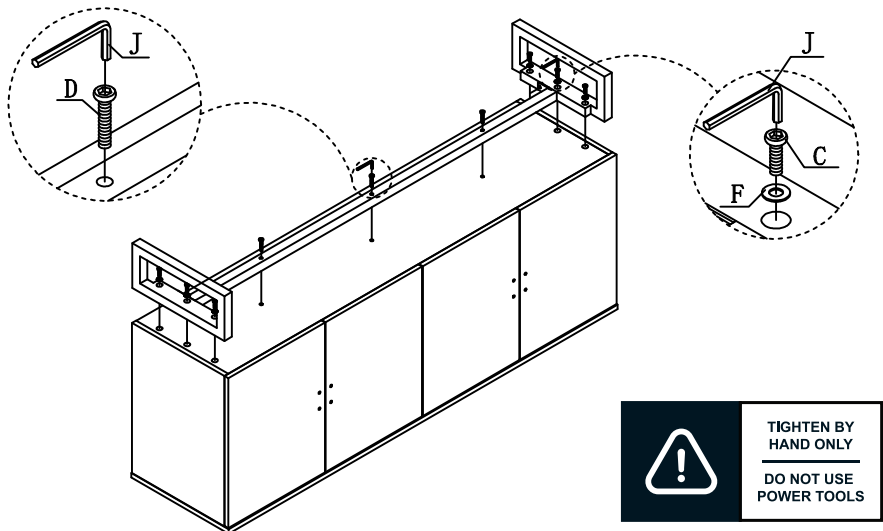
ASSEMBLY INSTRUCTIONS

FITTINGS	SPEC	QTY	FITTINGS	SPEC	QTY
A	 M4x22	12pcs	B	 M8x20	4pcs
C	 M8x35	6pcs	D	 M8x45	3pcs
E	 $\Phi 13$	12pcs	F	 $\Phi 17 \times \Phi 8 \times 2$	6pcs
G	 4pcs		H	 5mm	1pcs
I	 2pcs		J	 6mm	1pcs
K	 3.5x30	4pcs			

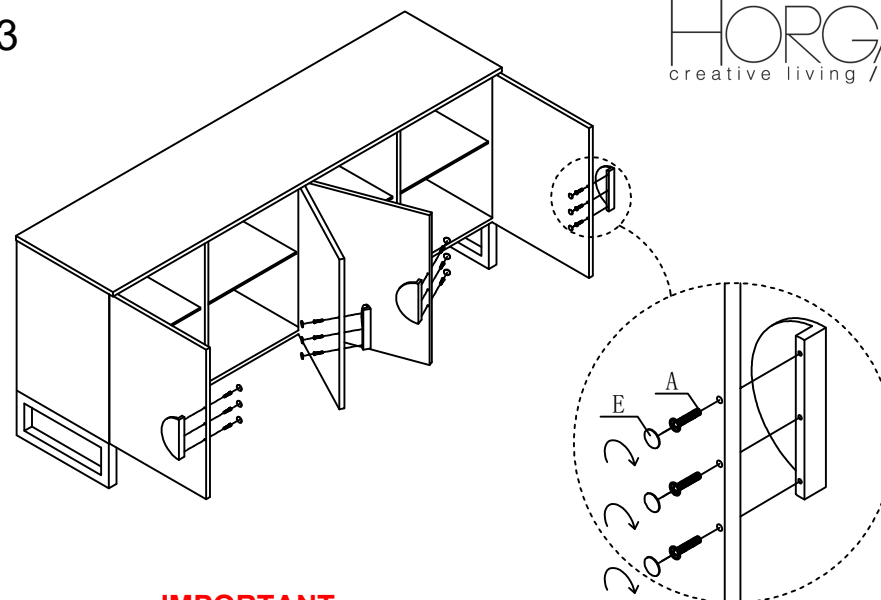
1



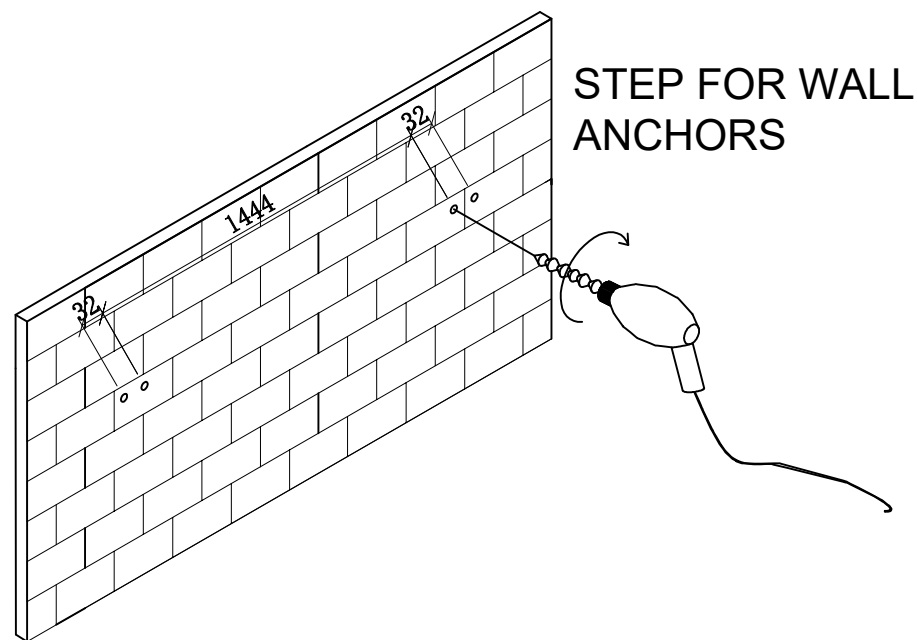
2



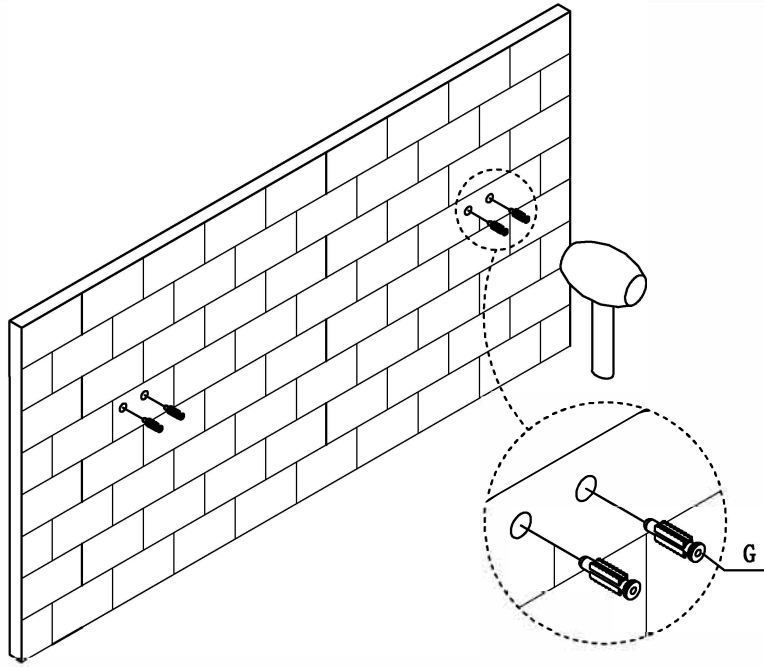
3



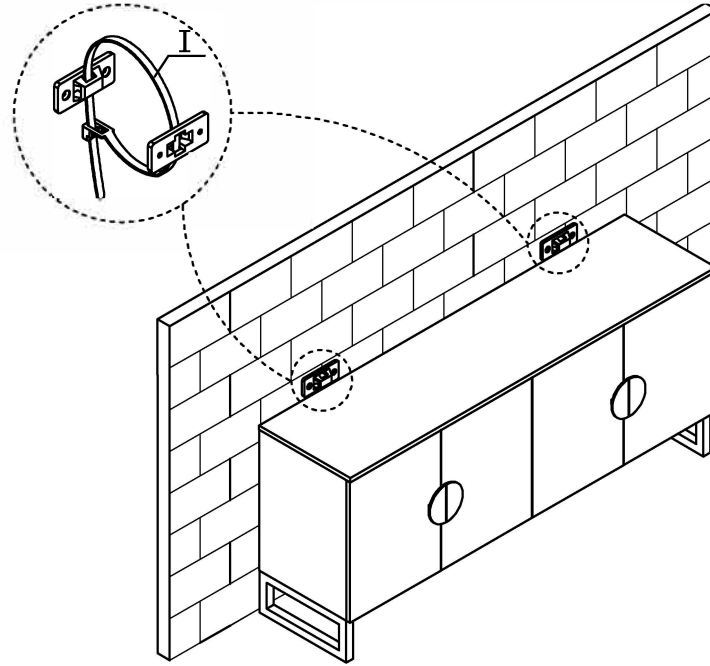
4



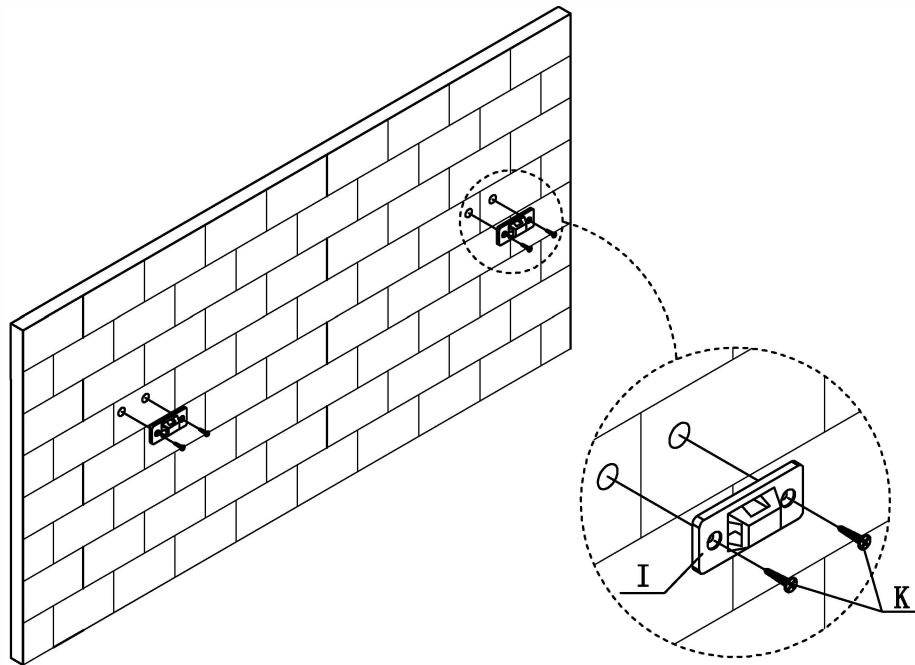
5



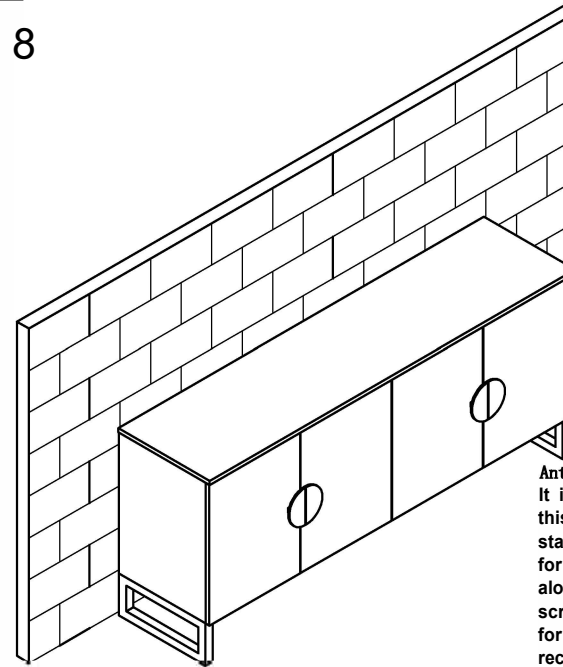
7



6



8



Anti-Tip Kit

It is recommended that the Anti-Tip Kit included with this product be installed for added safety and stability. It is essential to use wall anchors appropriate for your wall type (i.e. plaster, drywall, concrete, etc.), along with appropriate screws, for proper mounting. The screws included in this Anti-Tip Kit may not be suited for all wall types. Mounting to wood studs is recommended. Consult a qualified professional or your local hardware store for appropriate mounting hardware suited for your specific wall medium.