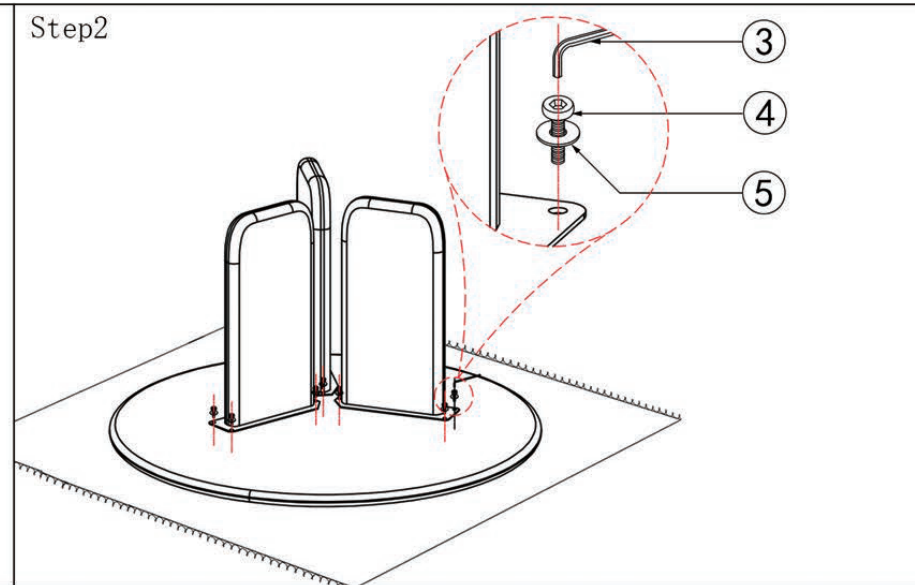
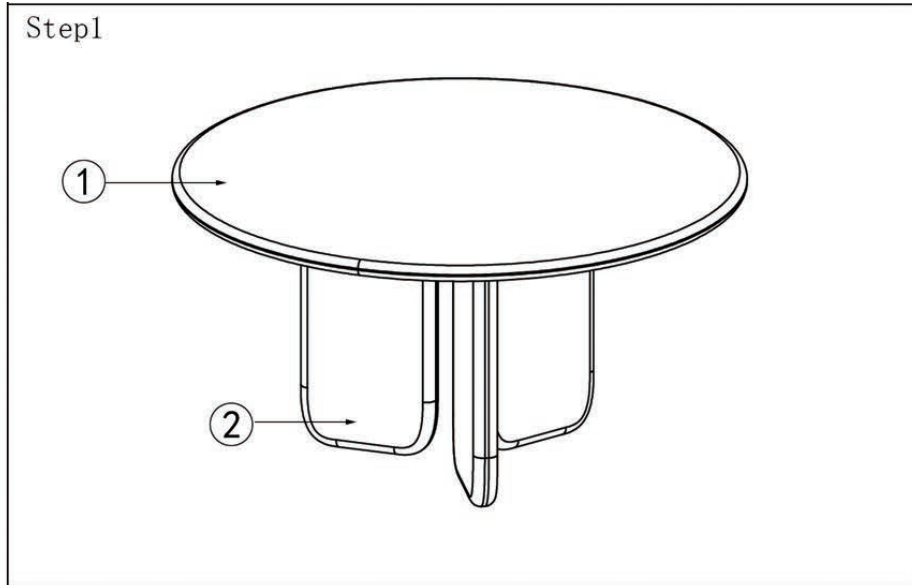


# HORGANS

## Assembly Instructions



### ALL PARTS LIST

NO.	Sketch	Description of parts	Qty/pcs
1		Wooden Top	1
2		Base	3
3		Wrench	1
4		Screw with M6*25	9
5		Washer ( $\phi$ 20)	12