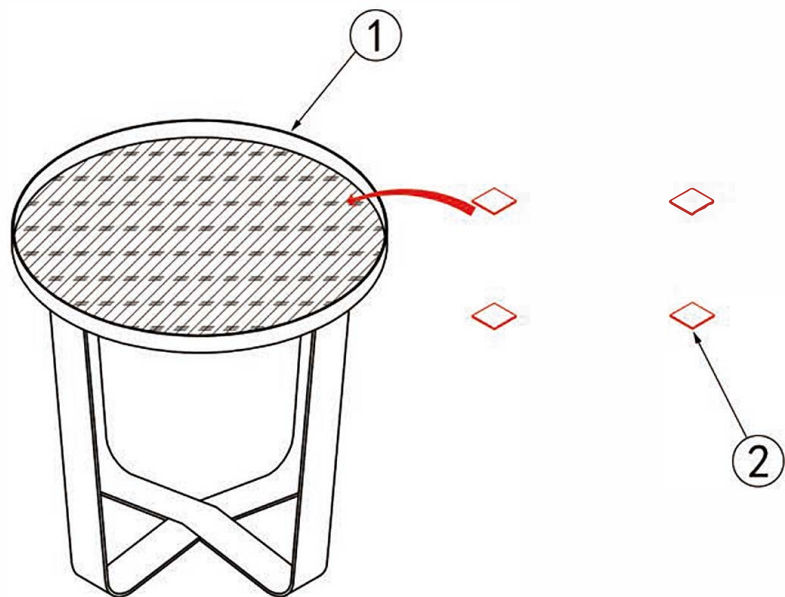
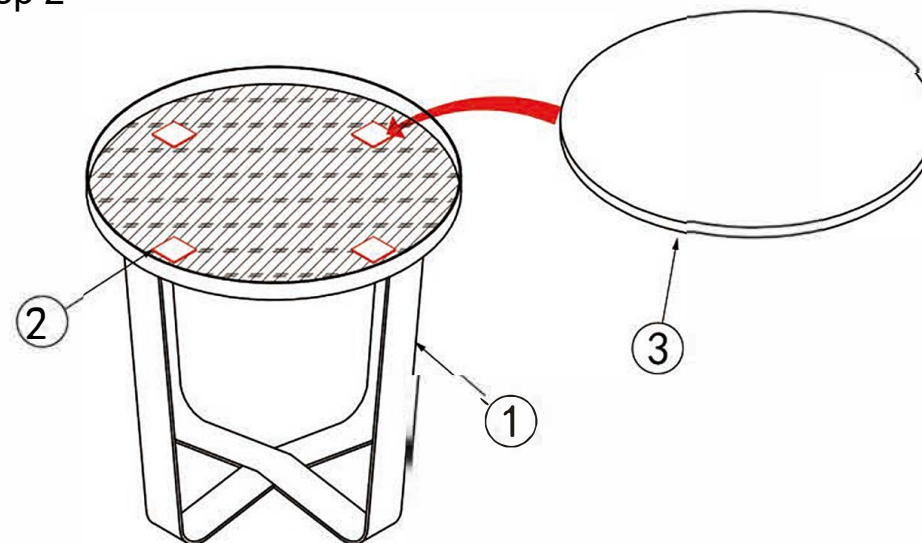


ARNE TABLE ASSEMBLY INSTRUCTIONS

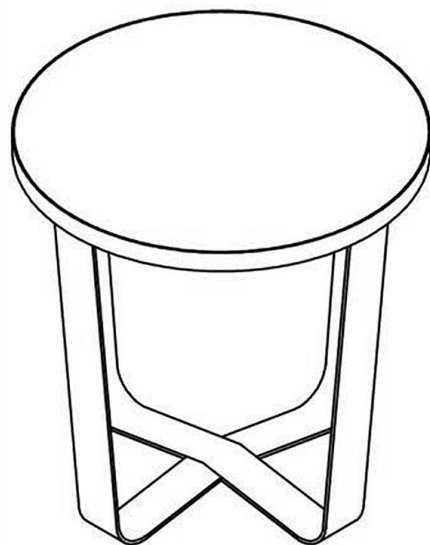
Step 1



Step 2



Finished



PARTS INCLUDED

No.	Sketch	Description of parts	Qty/Pcs
1		Metal Rack	1
2		Flannel pad	4
3		Marble Top	1