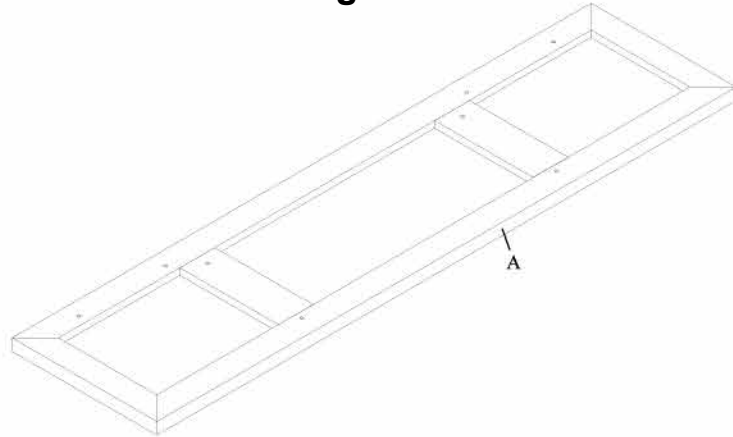


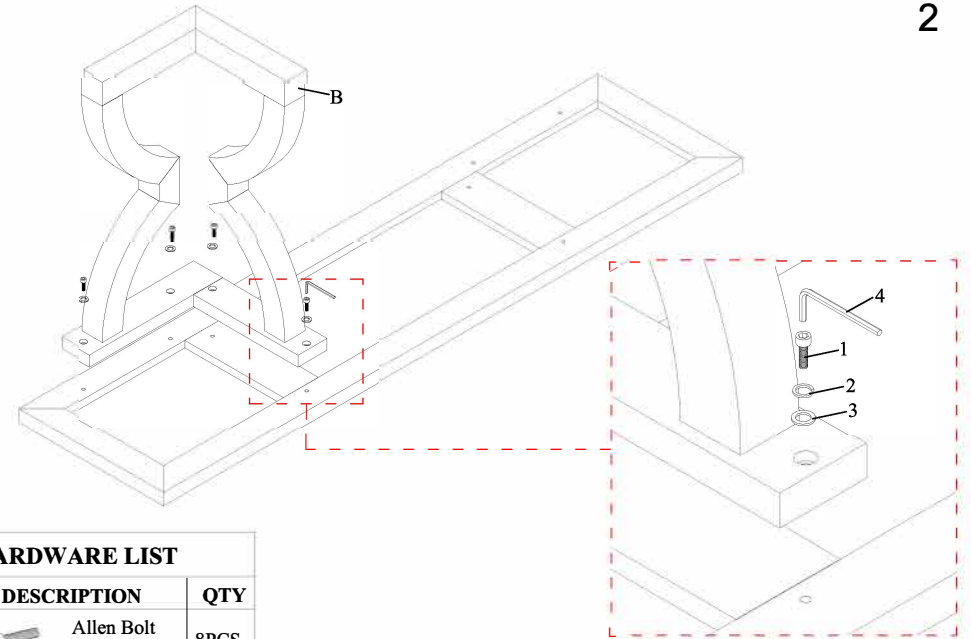
A206 THEODORE ASSEMBLY INSTRUCTIONS

1 * No power tools - Use hand tools only
Do not overtighten screws



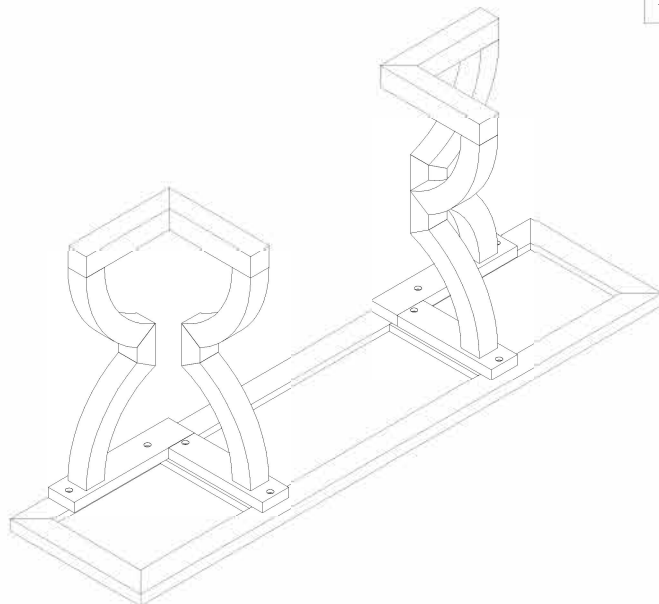
PART LIST		
NO	DESCRIPTION	QTY
A	TOP	1PC
B	LEG BASE	2PCS

2



HARDWARE LIST		
NO	DESCRIPTION	QTY
1	Allen Bolt M8*50mm	8PCS
2	Lock Washer	8PCS
3	Flat Washer	8PCS
4	Allen Key	1PC

3



4

